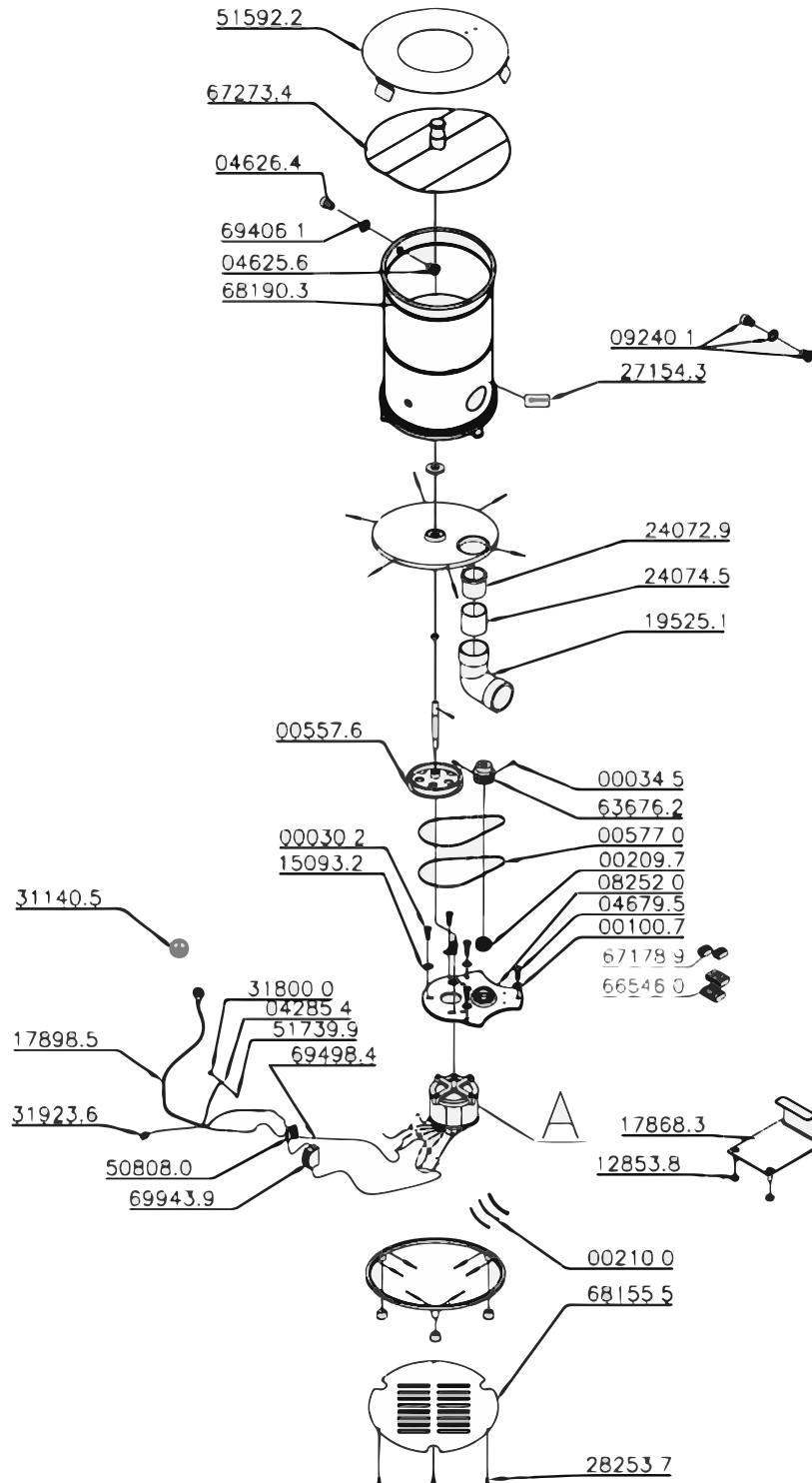


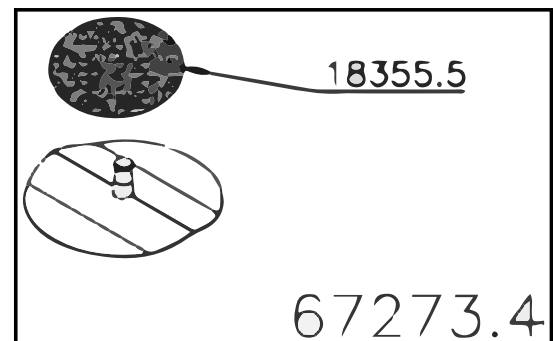
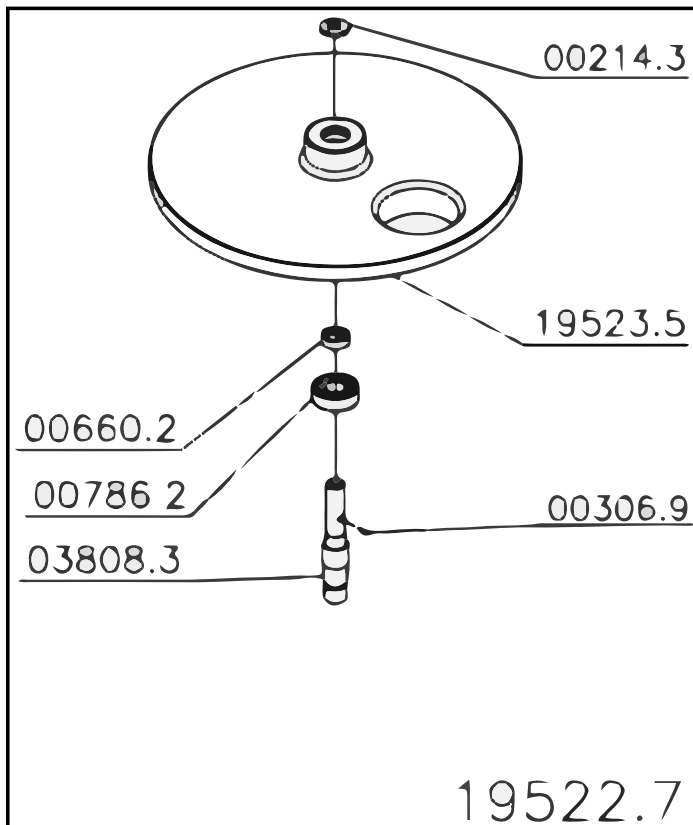
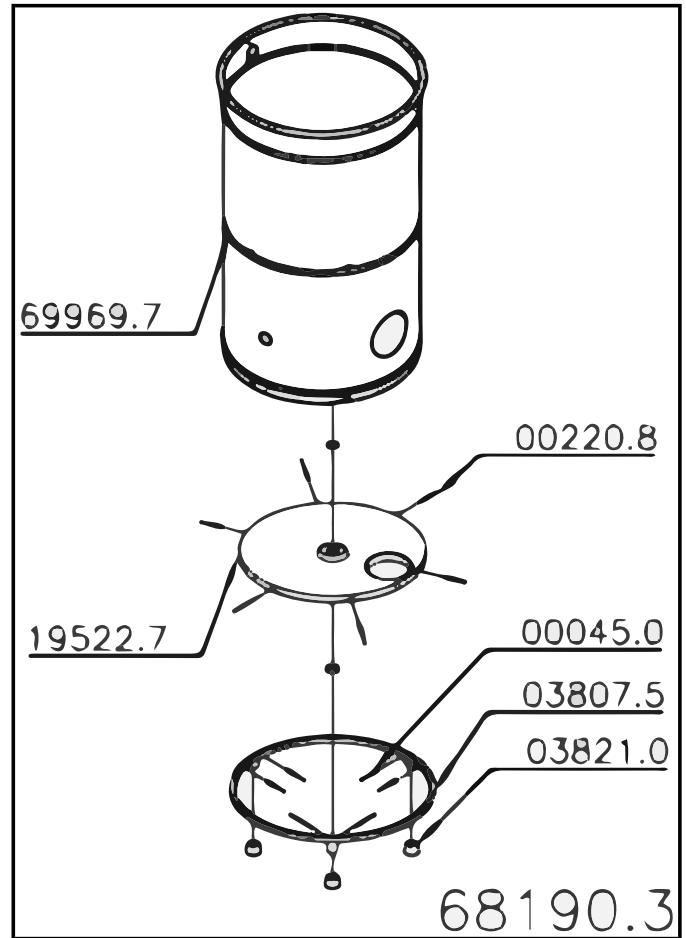
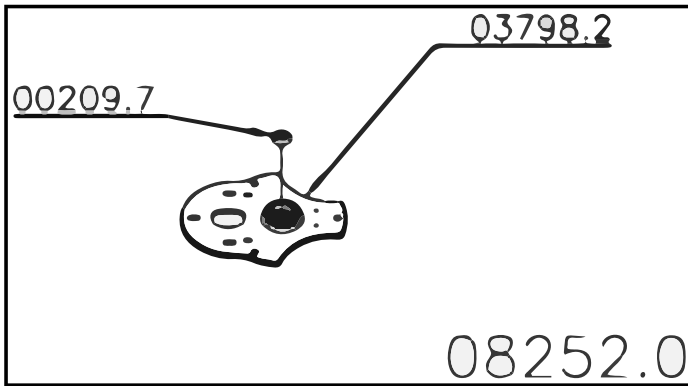
Parts Breakdown

Model PE-BR-0006 48002



Parts Breakdown

Model PE-BR-0006 48002



Parts Breakdown

Model PE-BR-0006 48002

Item No.	Description	Position	Item No.	Description	Position	Item No.	Description	Position
27686	PFS Sex UNC1/4x3/4 RTZB for 48002	00030.2	38089	Pre Isolating Terminal for 48002	04285.4	38344	PFS M4x8 Din 933 Inox for 48002	28253.7
30319	Screw 1/4x3/8 for 48002	00034.5	AN883	Nipel 1/2" - PVC (Krona) for 48002	04625.6	67038	Grounded Wire Label for 48002	31140.5
30029	Pression Rivet AD-423-S for 48002	00045.0	30194	Reduction Bush for 48002	04626.4	67039	Nut M4 Din 985 Stainless Steel for 48002	31800.0
30234	Washer L 1/4x1 6 ZB for 48002	00100.7	30275	Screw 6x20 for 48002	04679.5	27726	Cord Holder PG13.5 LC+P/9 for 48002	31923.6
30201	Ball Bearing 6202 for 48002	00209.7	19749	Complete Motor Support DB-06 for 48002	08252.0	AN193	Rotary Disconnect Switch MSW 20 P2 for 48002	50808.0
27688	Clamp K22 (T 50R) for 48002	00210.0	24020	Niple Set/Reduction for 48002	09240.1	AN194	Cover for 48002	51592.2
30191	Rubber Retainer 5206 for 48002	00214.3	38044	Nut M3 Din 934 Stainless Steel for 48002	12853.8	AF980	Screw M4x16 Din 933 Inox for 48002	51739.9
30030	Pression Rivet AD-440-S for 48002	00220.8	30222	Washer 2 78x7x20x25mm for 48002	15093.2	AP193	Motor Pulley (Painted) for 48002	63676.2
30331	Elastic Pin 6x40 for 48002	00306.9	78548	Strip for 48002	17868.3	AM613	Wago Splicing Connector 5x0.25-4mm2 for 48002	66546.0
30321	Moved Pulley for 48002	00557.6	30305	Cable 3x1.0mm with Plug for 48002	17898.5	AM614	Wago Splicing Connector 2x0.25-4mm2 for 48002	67178.9
30230	Belt 1160 for 48002	00577.0	AP192	Aluminum #Oxide No.100 for 48002	18355.5	AP194	Abrasive Disc 100 (Black) (Day) for 48002	67273.4
30207	Retainer 00726BR for 48002	00660.2	30377	Fundo Completo for 48002	19522.7	AN197	Bottom Plate for 48002	68155.5
30212	Ball Bearing 6203 for 48002	00786.2	30374	Fundo C.Martelad for 48002	19523.5	AN199	Complete Cabinet for 48002	68190.3
30332	Motor Support for 48002	03798.2	30293	Elbow 90 Degree 75mm for 48002	19525.1	AN200	Nylon Washer 30x22x4.5mm for 48002	69406.1
30328	Peeler Base for 48002	03807.5	30254	Coupling Pipe Diam.75mm Usinada for 48002	24072.9	AP195	Wiring Harness Compl. for 48002	69498.4
30306	Central Shaft for 48002	03808.3	30218	Coupling Extensor Diam.75mm for 48002	24074.5	AN201	10A C-Curved Monopolar Mini Circuit Breaker for 48002	69943.9
16404	Pont Ext Ted 7/8 for 48002	03821.0	27720	Omcan Logo (Machines) for 48002	27154.3	AP196	CS Cabinet for 48002	69969.7